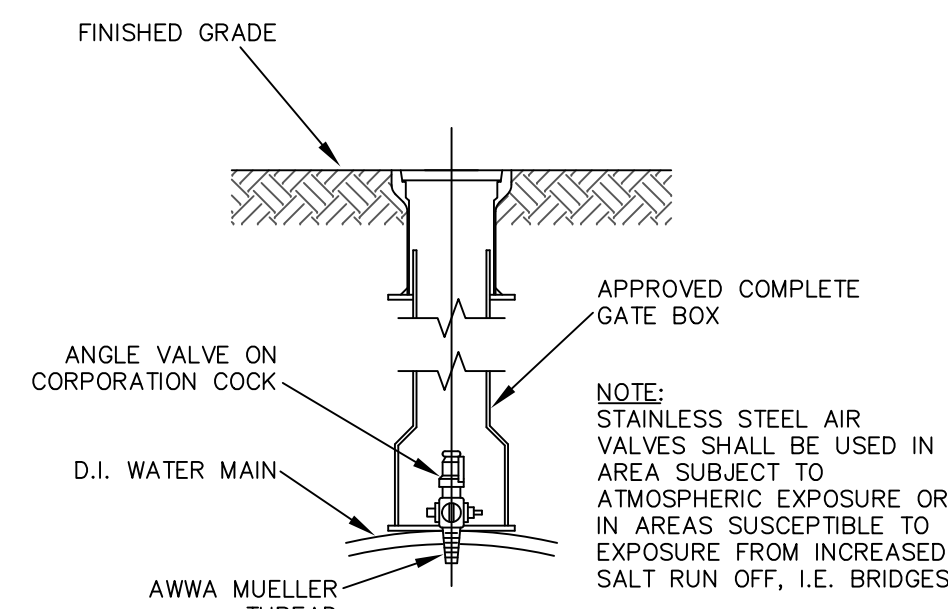
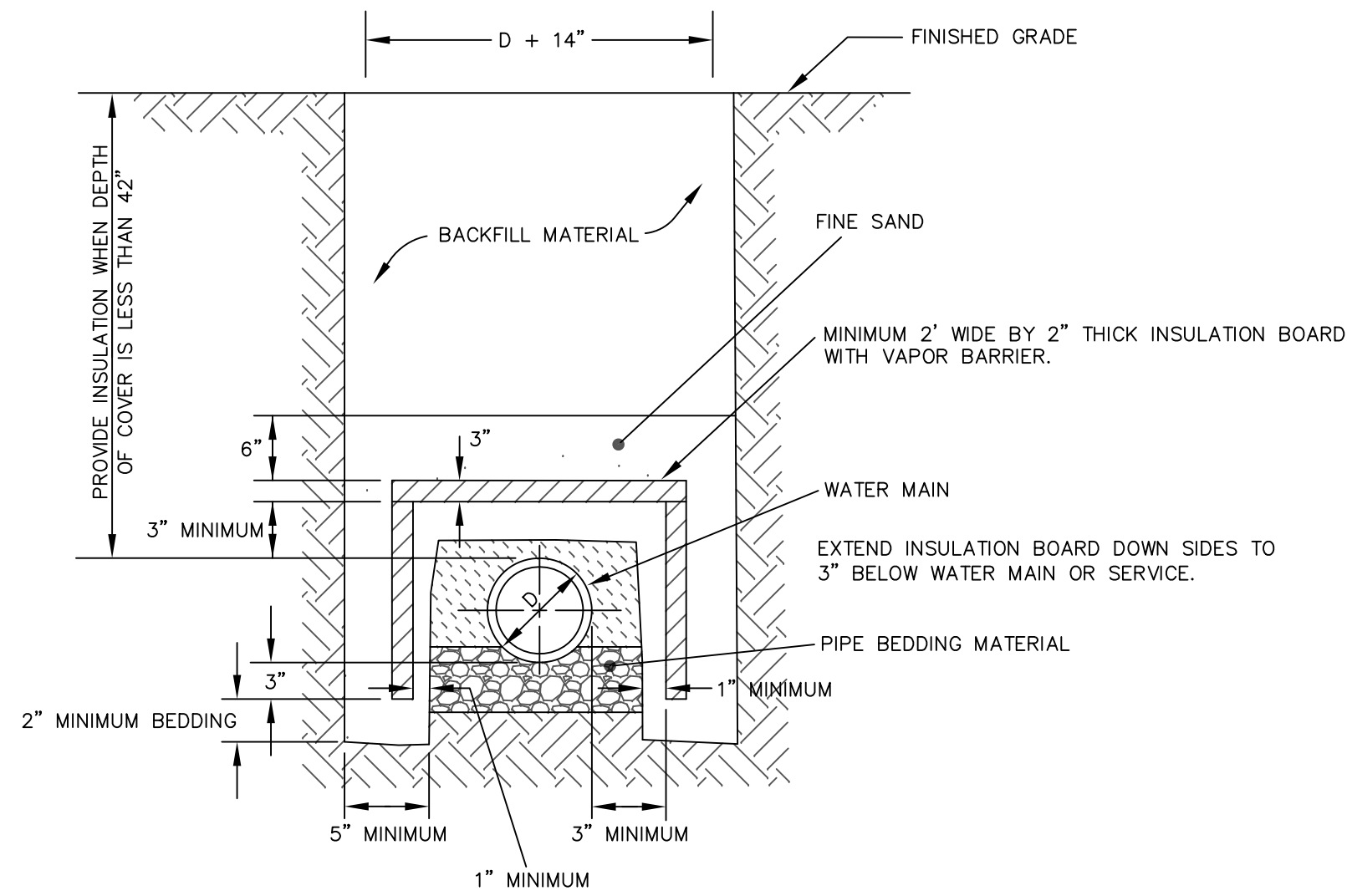


GATE VALVE
NOT TO SCALE

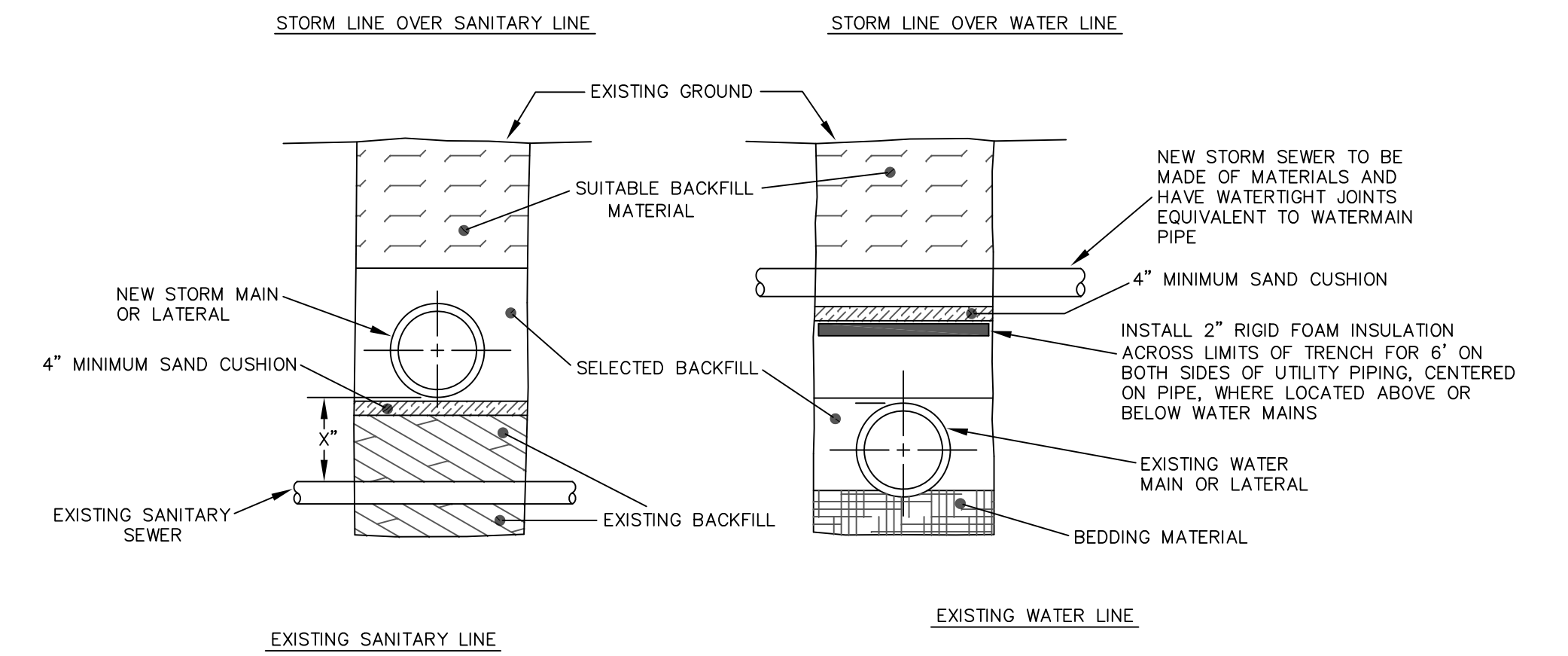


AIR VALVE
NOT TO SCALE



- NOTES:**
1. INSULATION BOARD TO BE FOAMGLAS OR APPROVED EQUAL MEETING ASTM C-552 WITH A COMPRESSIVE STRENGTH OF 90 PSI.
 2. VAPOR BARRIER TO BE PITTCOLE 300 OR APPROVED EQUAL.
 3. BACKFILL MATERIAL AROUND INSULATION MUST BE FINE SAND FREE FROM ROOTS, ORGANIC MATTER, OR OTHER INJURIOUS MATERIALS.
 4. MAINTAIN 3" MINIMUM CLEARANCE FROM WATER MAIN ON ALL SIDES.
 5. FOR REDUCTION IN COVER ONLY WHERE RESULTANT COVER IS LESS THAN 42".

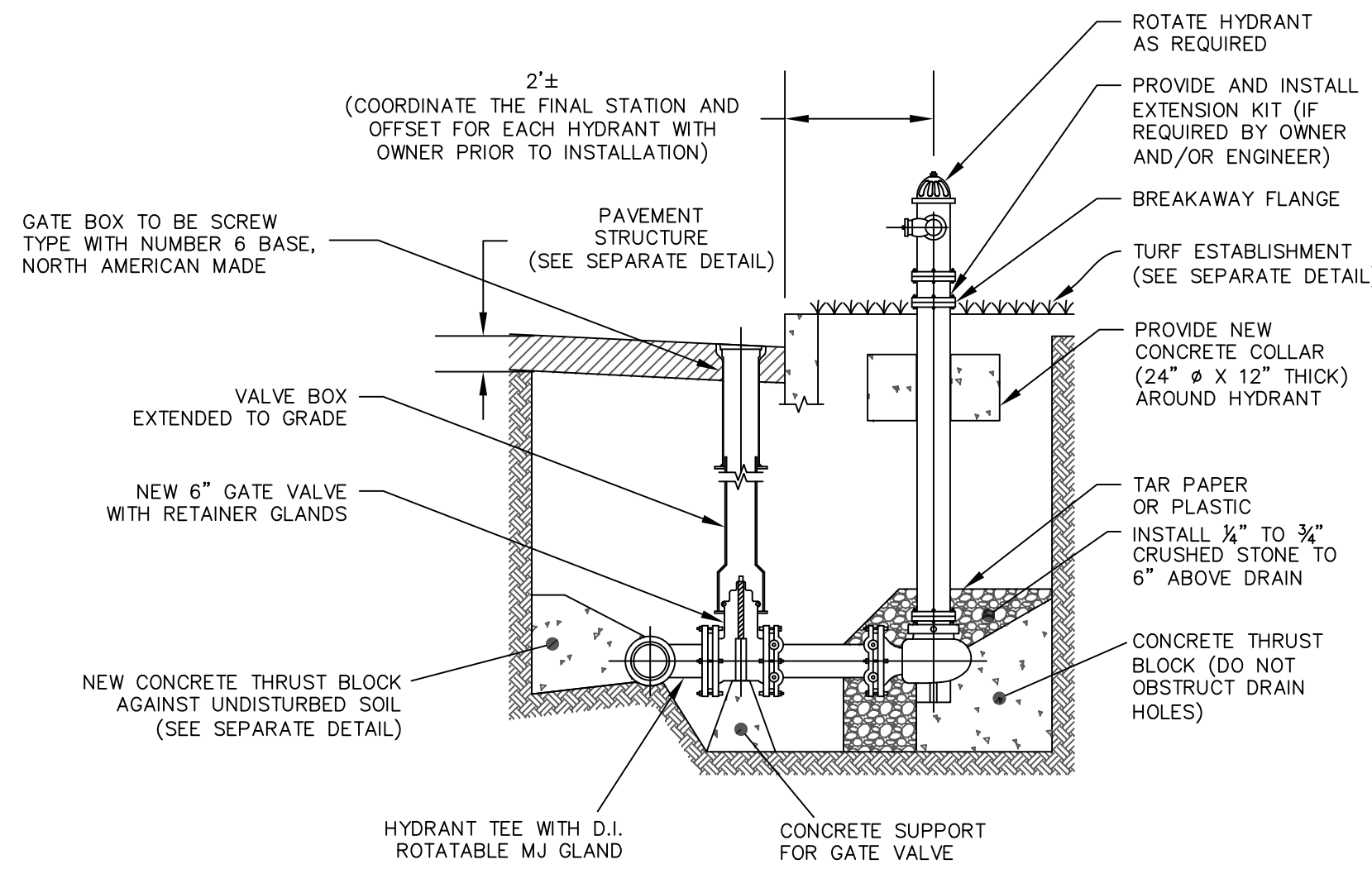
WATER MAIN TRENCH
INSULATION DETAIL
NOT TO SCALE



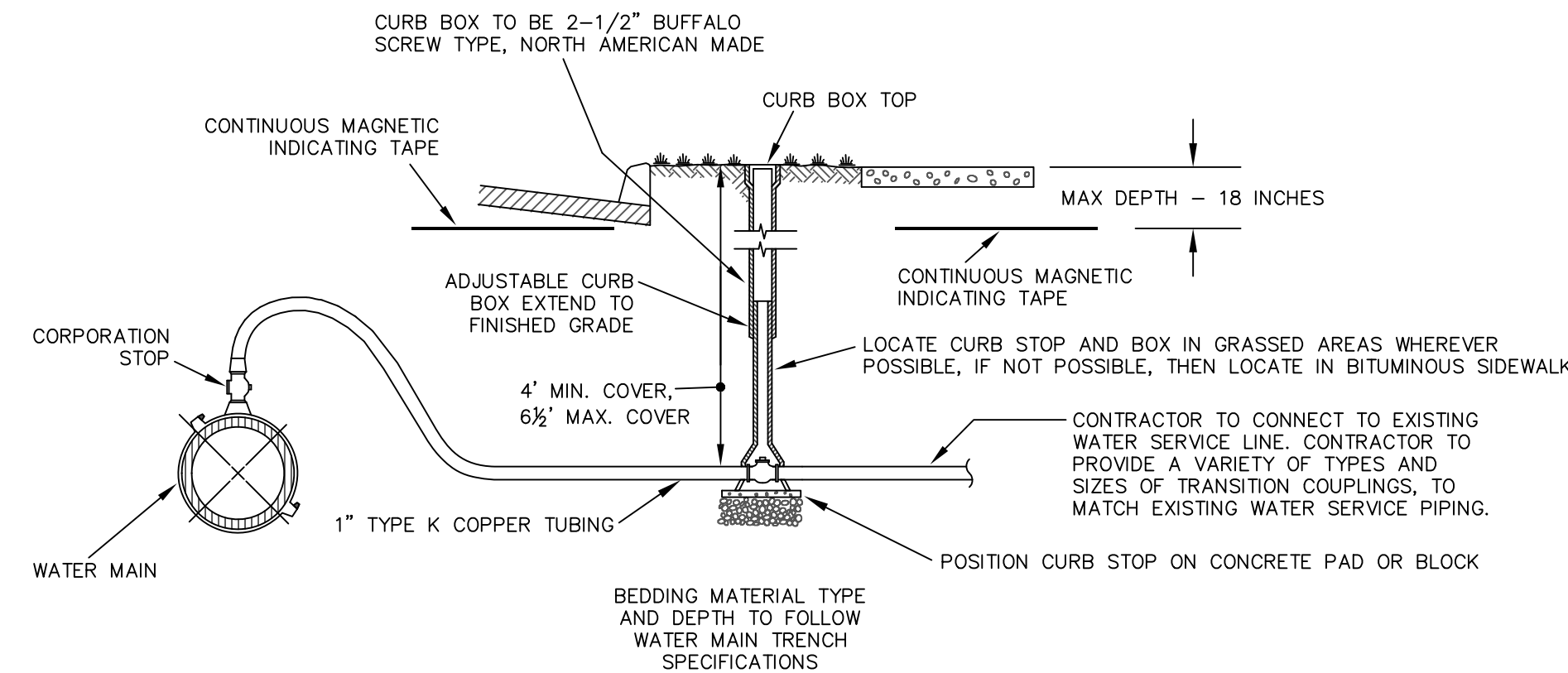
1. IF "X" IS 4" TO 18", REPLACE SANITARY SEWER WITH 18" LONG D.I.P.
2. IF "X" IS 18" TO 36", LINE SANITARY SEWER FROM MANHOLE TO MANHOLE
3. INSULATION DIMENSIONS EQUAL TO NEW TRENCH WIDTH BY EXISTING WATER MAIN O.D. PLUS 4"

- NEW JOINTS TO BE CENTERED EQUIDISTANT FROM WATER MAIN
- PIPE JOINT REPAIR CLAMPS OR EQUIVALENT TO BE USED ON ALL NEW MAINS AND LATERALS

STORM LINE CONFLICTS
NOT TO SCALE

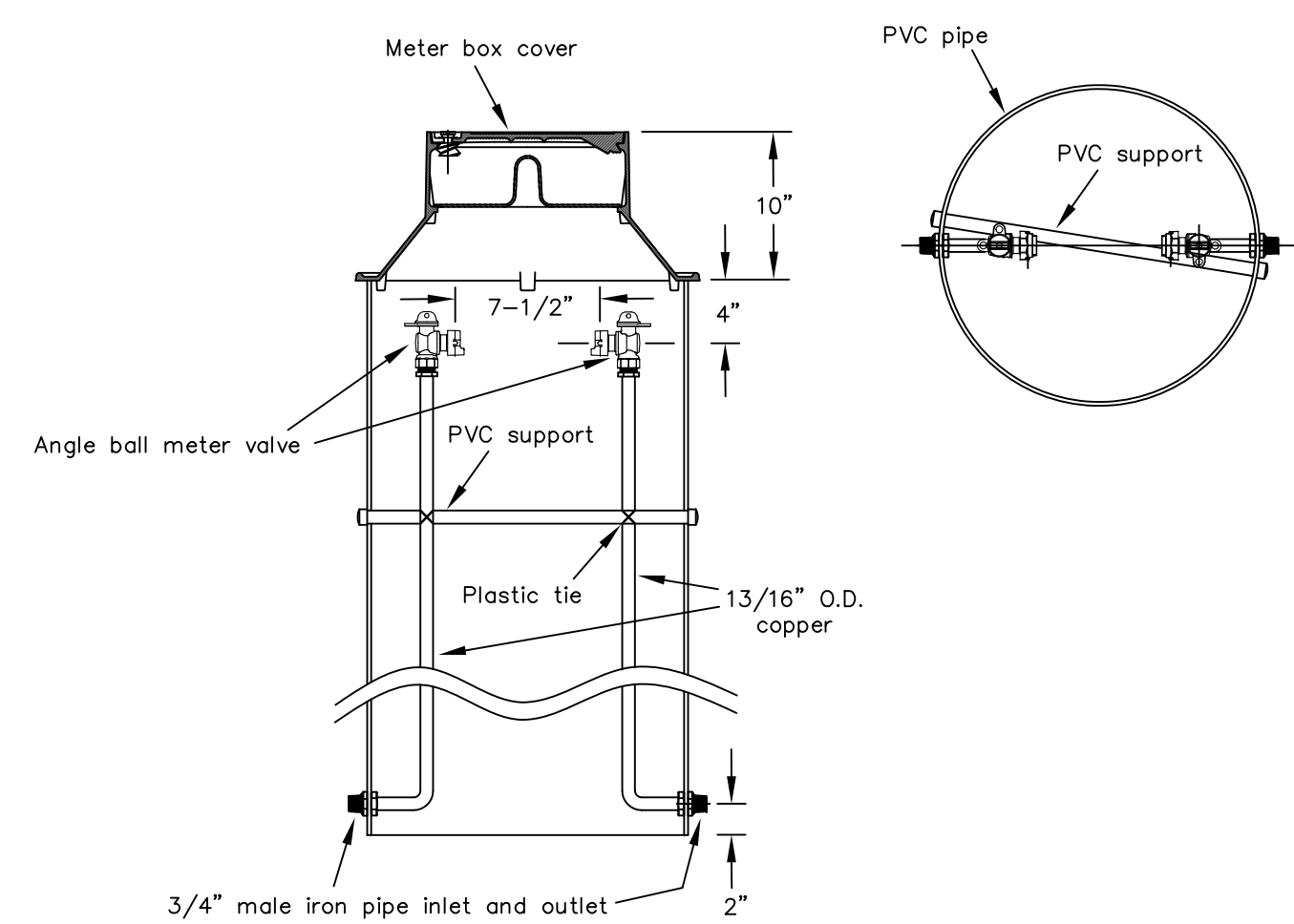


HYDRANT ASSEMBLY
NOT TO SCALE

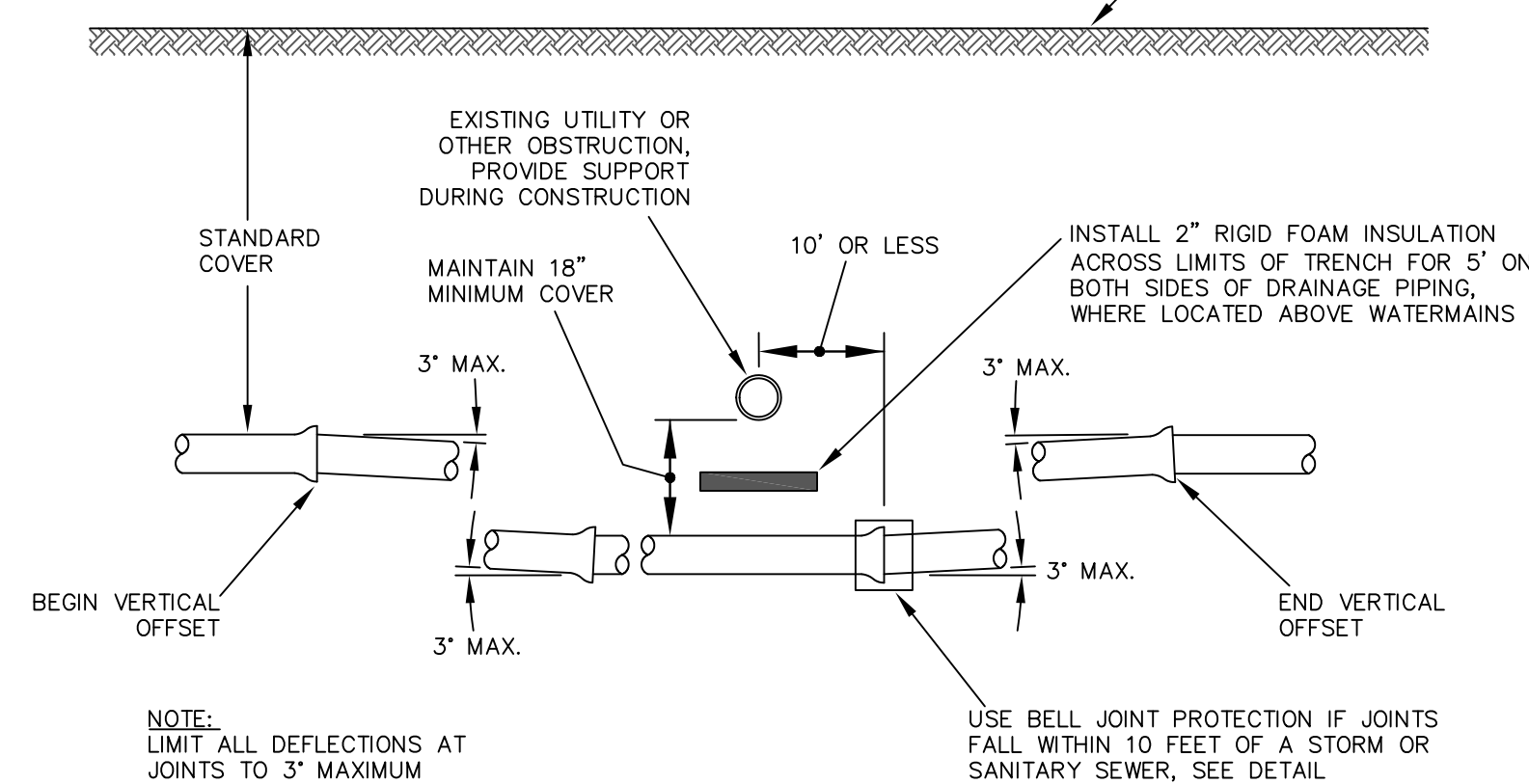


TYPICAL 1" WATER SERVICE CONNECTION
NOT TO SCALE

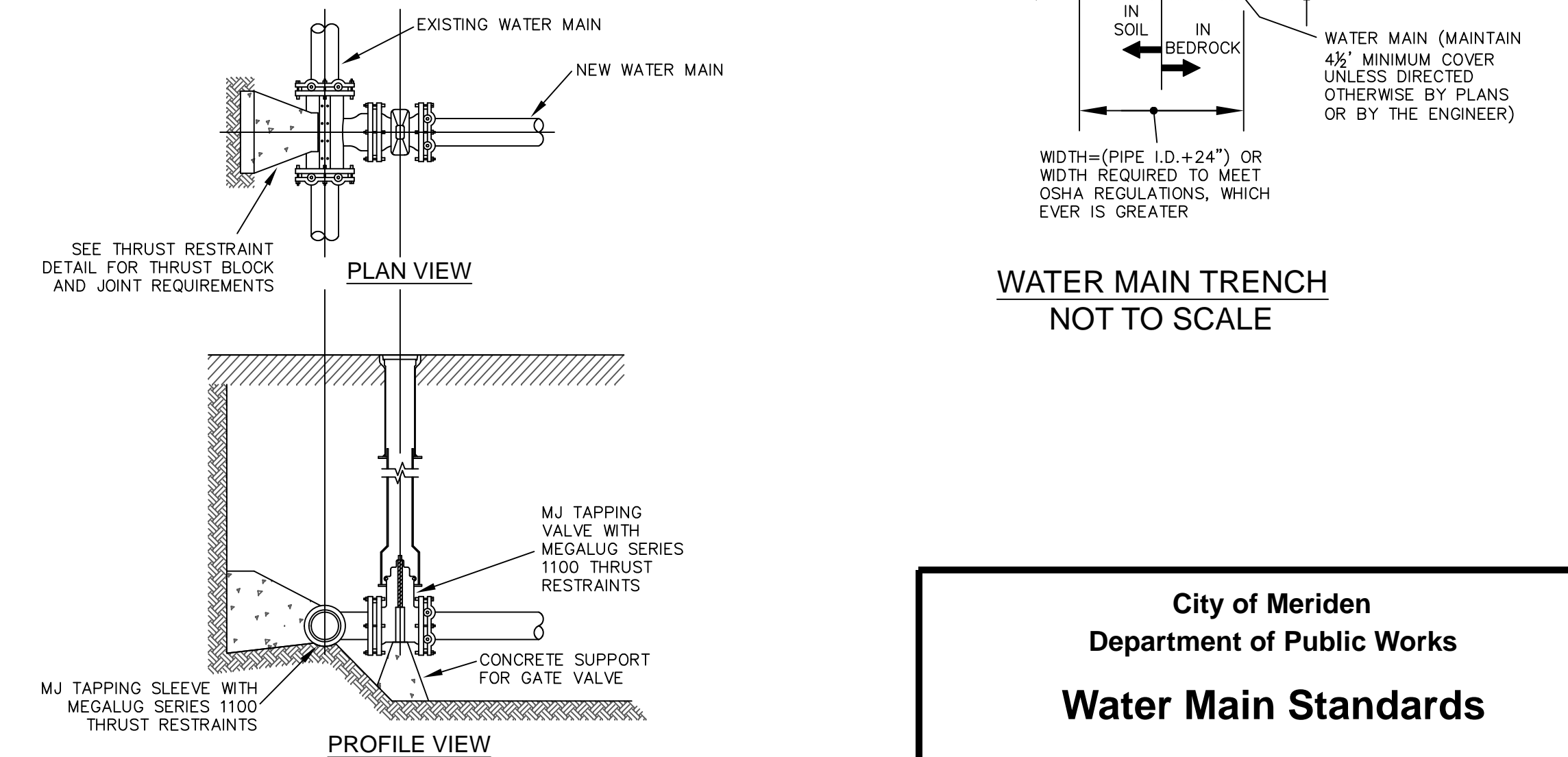
NOTE:
CITY OF MERIDEN TO CONNECT ALL SERVICE TAPS, AND PROVIDE CORPORATION STOP AND SWING.



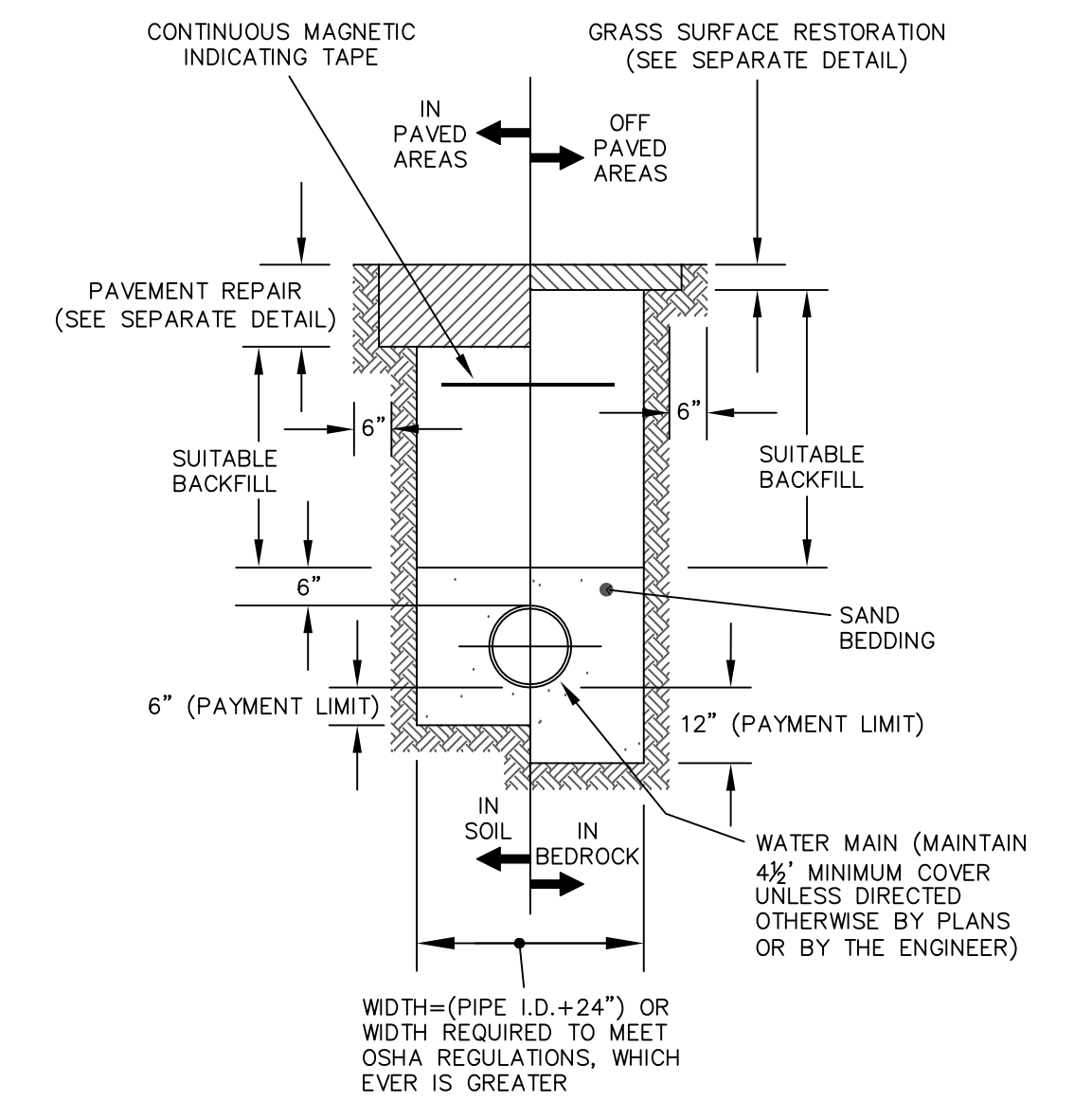
METER PIT DETAIL
NOT TO SCALE



GRADUAL VERTICAL OFFSET
NOT TO SCALE



TAPPING SLEEVE & VALVE
NOT TO SCALE



WATER MAIN TRENCH
NOT TO SCALE

City of Meriden Department of Public Works Water Main Standards		DATE: 08/04/2014
Engineering Division City Hall Room 19 Meriden, Connecticut		DESIGN: BBD DRAWN: BBD SCALE: NONE DWG. WMS1 SHEET 1 OF 2