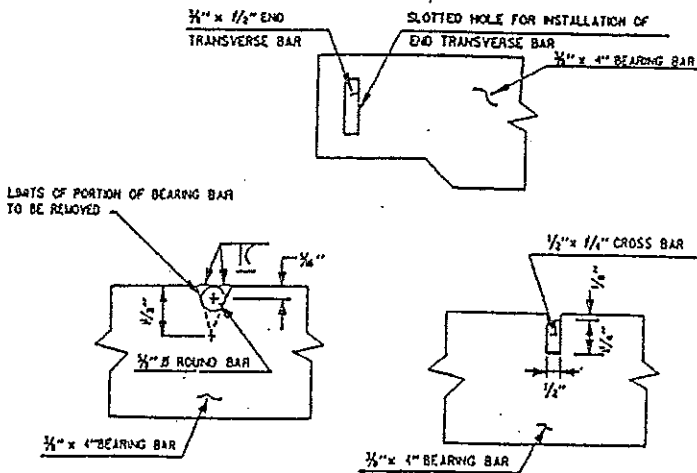
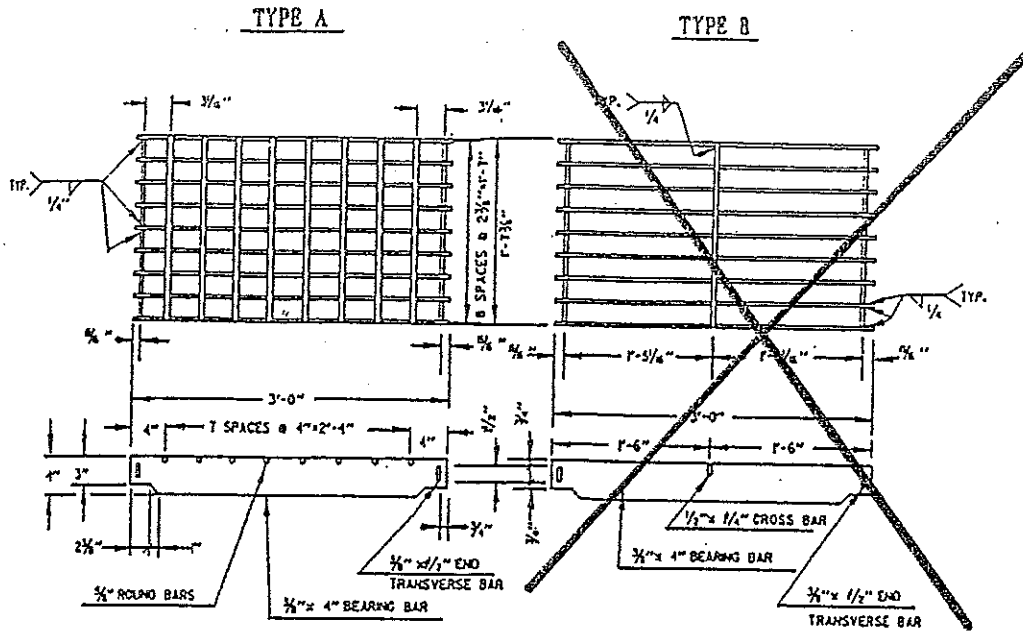


GRATES



ALL BARS SHALL BE WELDED AT ALL INTERSECTIONS.

NOTES

GENERAL

STEEL OR CAST IRON FRAMES TO BE USED FOR TYPE 'A' & 'B' GRATES.

TYPE 'A' GRATES TO BE USED ON ALL ROADWAYS WHERE BICYCLE TRAFFIC IS ALLOWED OR AS DIRECTED BY THE ENGINEER.

TYPE 'B' GRATES TO BE USED ON ALL LIMITED ACCESS HIGHWAYS, RAMP AND WHERE BICYCLE TRAFFIC IS NOT ALLOWED OR AS DIRECTED BY THE ENGINEER.

STEEL FRAMES AND GRATES SHALL BE GALVANIZED IN ACCORDANCE WITH W.L.O.C. CAST IRON FRAMES AND GRATES ARE NOT TO BE GALVANIZED.

STEEL

ALL METAL UNITS SUBJECT TO MANUFACTURING TOLERANCES.

ONLY LOW HYDROGEN ELECTRODES SHALL BE USED.

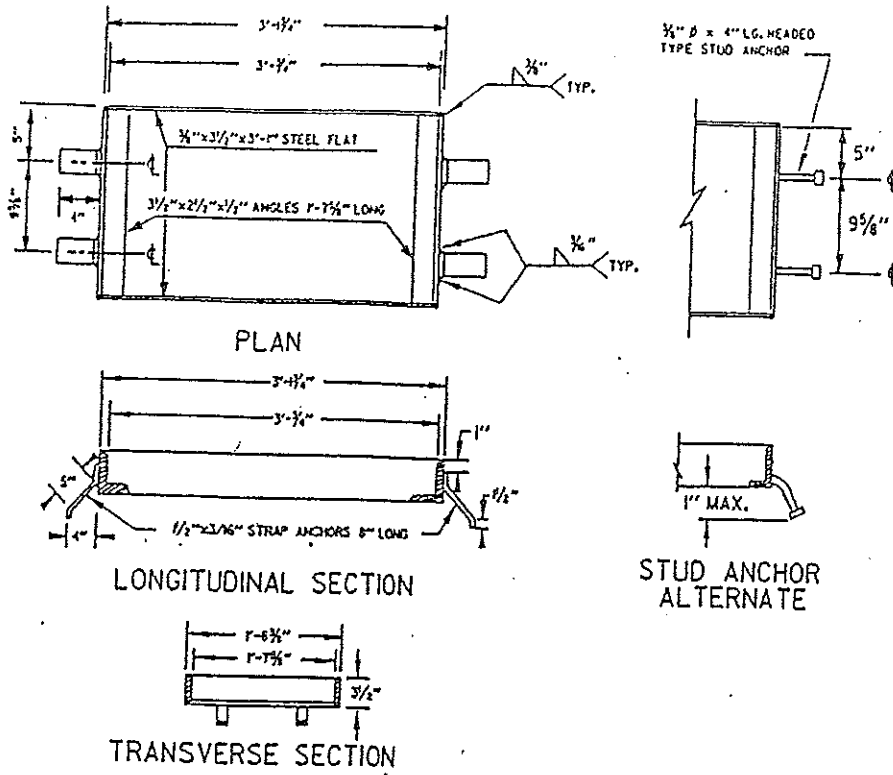
DIMENSIONAL TOLERANCES MAY BE $\pm 1/16$ "

WELDING WILL BE PERFORMED IN ACCORDANCE WITH THE STANDARD SPECIFICATIONS FOR ROADS, BRIDGES AND INCIDENTAL CONSTRUCTION.

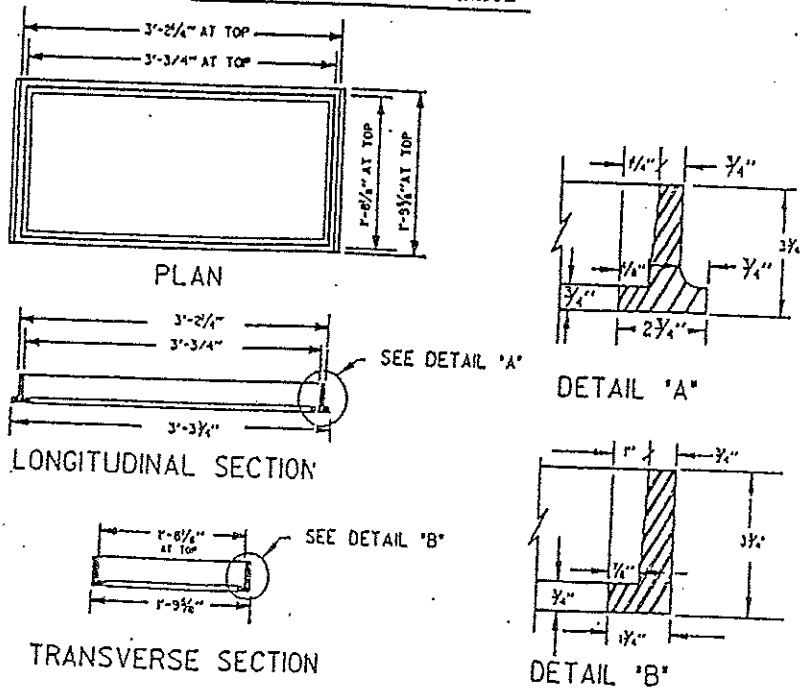
CATCH BASIN FRAMES AND GRATES

N.T.S

STEEL FRAME



CAST IRON FRAME ALTERNATE



CATCH BASIN FRAMES AND GRATES

N.T.S